

San Ace 40W

9WPA type

Splash Proof Fan

Features

High Static Pressure

This fan delivers a maximum static pressure of 555 Pa,⁽¹⁾ which is about 1.38 times higher compared to our current model.⁽²⁾

Low Noise and Energy Saving

The PWM control function enables the control of fan speed, contributing to lowering noise and improving energy efficiency of devices.

Water and Dust Protection

This fan achieves excellent IP68⁽³⁾ water and dust protection, maintaining stable operation in harsh environments.

(1) For models 9WPA0412P3G001 and 9WPA0424P3G001

(2) Current model: 40 x 40 x 28 mm San Ace 40W 9WL type Splash Proof Fan (model no. 9WL0412P3J001).

(3) The degree of protection (IP code) is defined by IEC 60529 (International Electrotechnical Commission) as follows.
The protection rating applies only to electrical components (motor coils and electronic components) in our fans.
The mechanical components other than the electrical components are not subject to protection.



40 x 40 x 28 mm

Specifications

The models listed below **have ribs and pulse sensors with PWM control function**. For models without ribs, append "1" to the end of model numbers.

Model no.	Rated voltage [V]	Operating voltage range [V]	PWM duty cycle* [%]	Rated current [A]	Rated input [W]	Rated speed [min ⁻¹]	Max. airflow [m ³ /min] [CFM]	Max. static pressure [Pa] [inchH ₂ O]	SPL [dB(A)]	Operating temperature [°C]	Expected life [h]
9WPA0412P3G001	12	10.8 to 13.2	100	0.50	6.0	22200	0.63 22.2	555 2.22	53	-20 to +70	40000/60°C (70000/40°C)
			20	0.06	0.72	5000	0.14 4.9	28.1 0.11	21		
9WPA0424P3G001	24	21.6 to 26.4	100	0.25	6.0	22200	0.63 22.2	555 2.22	53		
			20	0.06	1.44	9200	0.26 9.1	95 0.38	34		

* PWM frequency is 25 kHz. Models without ratings for 0% PWM duty cycle have zero speed at 0%. When control terminal is open, speed is the same as at 100% duty cycle.

The models listed below **have ribs and pulse sensors**. For models without ribs, append "1" to the end of model numbers.

Model no.	Rated voltage [V]	Operating voltage range [V]	Rated current [A]	Rated input [W]	Rated speed [min ⁻¹]	Max. airflow [m ³ /min] [CFM]	Max. static pressure [Pa] [inchH ₂ O]	SPL [dB(A)]	Operating temperature [°C]	Expected life [h]
9WPA0412H3001	12	7 to 13.8	0.34	4.1	18500	0.52 18.3	375 1.51	48	-20 to +70	40000/60°C (70000/40°C)
9WPA0424H3001	24	14 to 27.6	0.17							

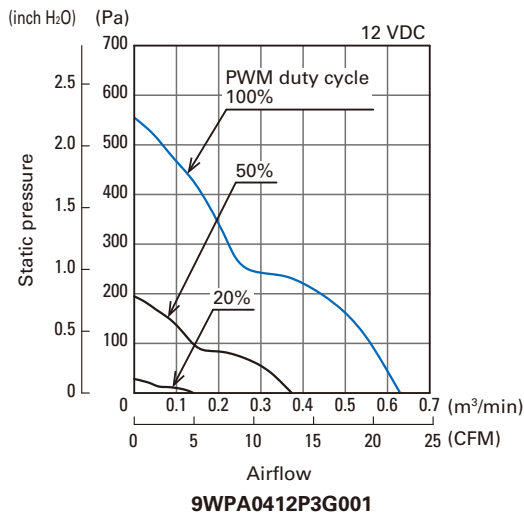
Models with the following sensor specifications are also available as options: **Without sensor**

Common Specifications

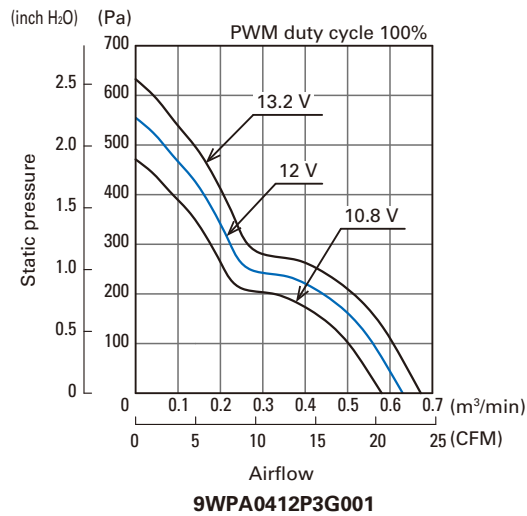
- Material Frame: Plastic (Flammability: UL 94V-0), Impeller: Plastic (Flammability: UL 94V-0)
- Expected life Refer to specifications
(L10 life: 90% survival rate for continuous operation in indoor free air at 60°C, rated voltage)
Expected life at 40°C is for reference only.
- Motor protection function Locked rotor burnout protection, Reverse polarity protection
- Dielectric strength 50/60 Hz, 500 VAC, for 1 minute (between lead wire conductors and frame)
- Insulation resistance 10 MΩ min. at 500 VDC (between lead wire conductors and frame)
- Sound pressure level (SPL) A-weighted sound pressure level (SPL) at 1 m away from the air inlet.
- Operating temperature Refer to specifications (Non-condensing)
- Storage temperature -30 to +70°C (Non-condensing)
- Lead wire ⊕ Red ⊖ Black (Sensor) Yellow (Control) Brown
(For models without PWM control function, there is no speed control wiring.)
- Mass 60 g
- Ingress protection IP68

Airflow - Static Pressure Characteristics

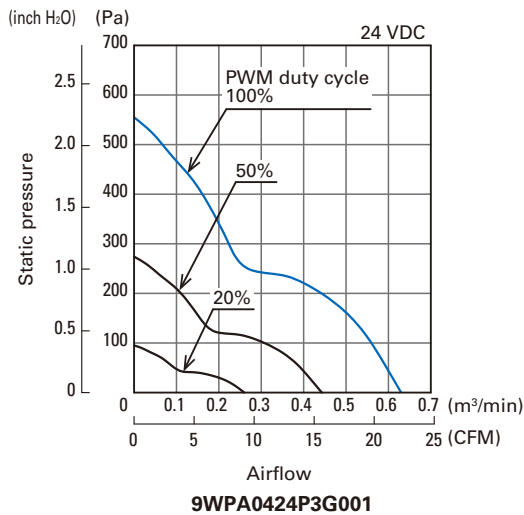
PWM duty cycle



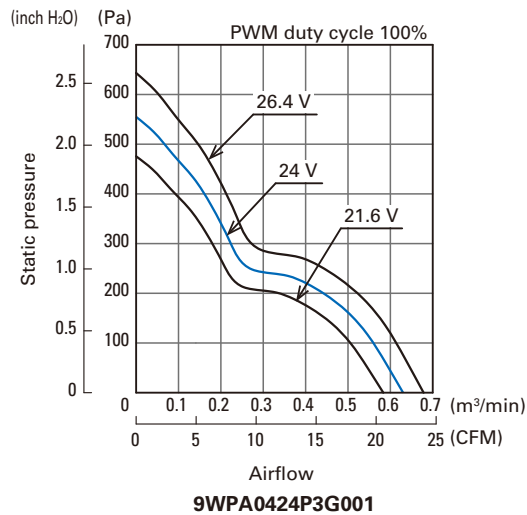
Operating voltage range



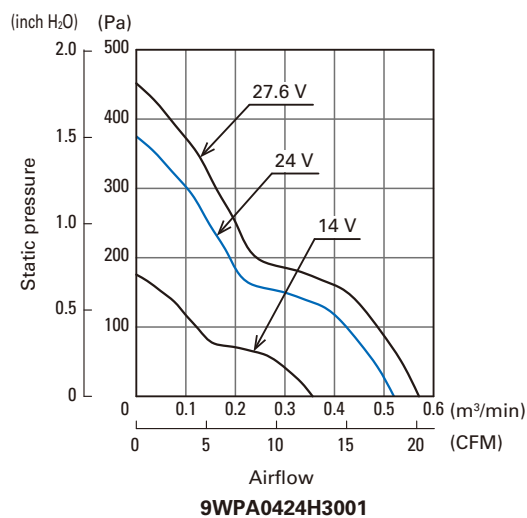
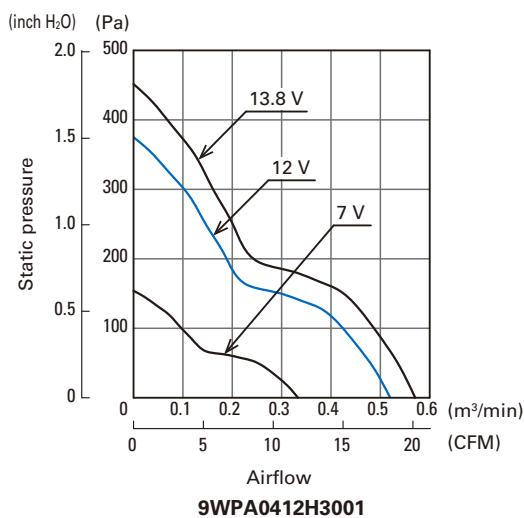
PWM duty cycle



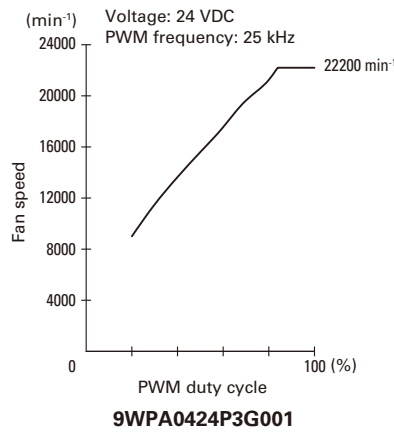
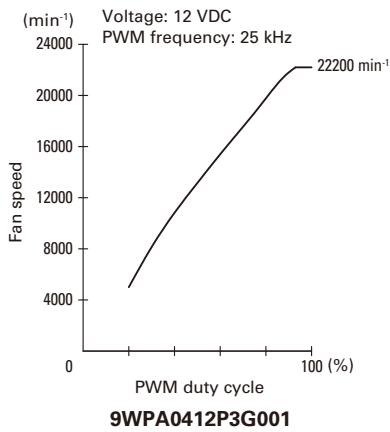
Operating voltage range



Operating voltage range

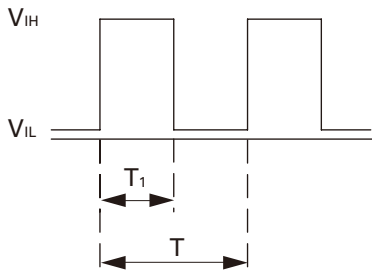


PWM Duty - Speed Characteristics Example



PWM Input Signal Example

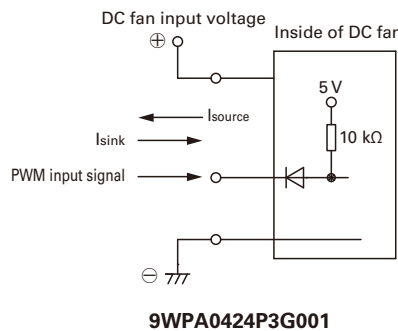
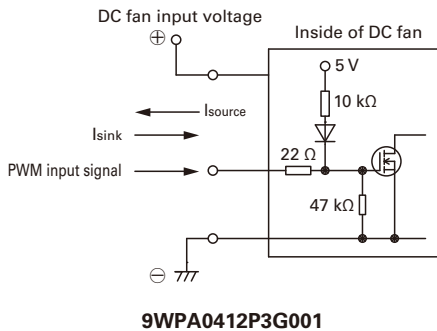
Input signal waveform



$V_{IH} = 4.75 \text{ to } 5.25 \text{ V}$ $V_{IL} = 0 \text{ to } 0.4 \text{ V}$
 $\text{PWM duty cycle (\%)} = \frac{T_1}{T} \times 100$ $\text{PWM frequency } 25 \text{ (kHz)} = \frac{1}{T}$
 Current source (I_{source}) = 1.0 mA max. (when control voltage is 0 V)
 Current sink (I_{sink}) = 1.0 mA max. (when control voltage is 5.25 V)

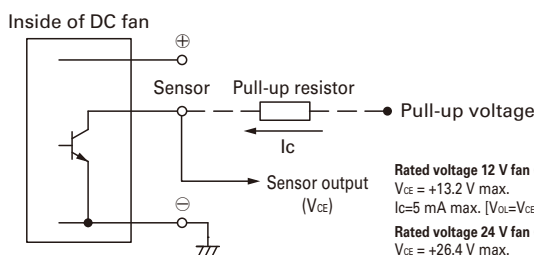
When the PWM control terminal is open, the fan speed is the same as the speed at 100% PWM duty cycle. The PWM signal can be used with open collector or drain input. Note that when using an open collector or drain input, or inputting a different voltage or frequency, the speed relative to the PWM duty cycle may differ from this specification.

Example of Connection Schematic



Specifications for Pulse Sensors

Output circuit: Open collector



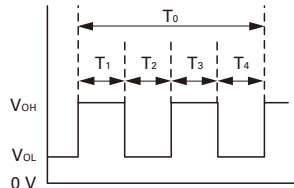
Rated voltage 12 V fan (With PWM control function)
 $V_{CE} = +13.2 \text{ V max.}$
 $I_C = 5 \text{ mA max.}$ [$V_{OL} = V_{CE} \text{ (SAT)} = 0.6 \text{ V max.}$]
Rated voltage 24 V fan (With PWM control function)
 $V_{CE} = +26.4 \text{ V max.}$
 $I_C = 5 \text{ mA max.}$ [$V_{OL} = V_{CE} \text{ (SAT)} = 0.6 \text{ V max.}$]

Rated voltage 12 V fan (Without PWM control function)
 $V_{CE} = +13.8 \text{ V max.}$
 $I_C = 5 \text{ mA max.}$ [$V_{OL} = V_{CE} \text{ (SAT)} = 0.6 \text{ V max.}$]
Rated voltage 24 V fan (Without PWM control function)
 $V_{CE} = +27.6 \text{ V max.}$
 $I_C = 5 \text{ mA max.}$ [$V_{OL} = V_{CE} \text{ (SAT)} = 0.6 \text{ V max.}$]

Output waveform (Need pull-up resistor)

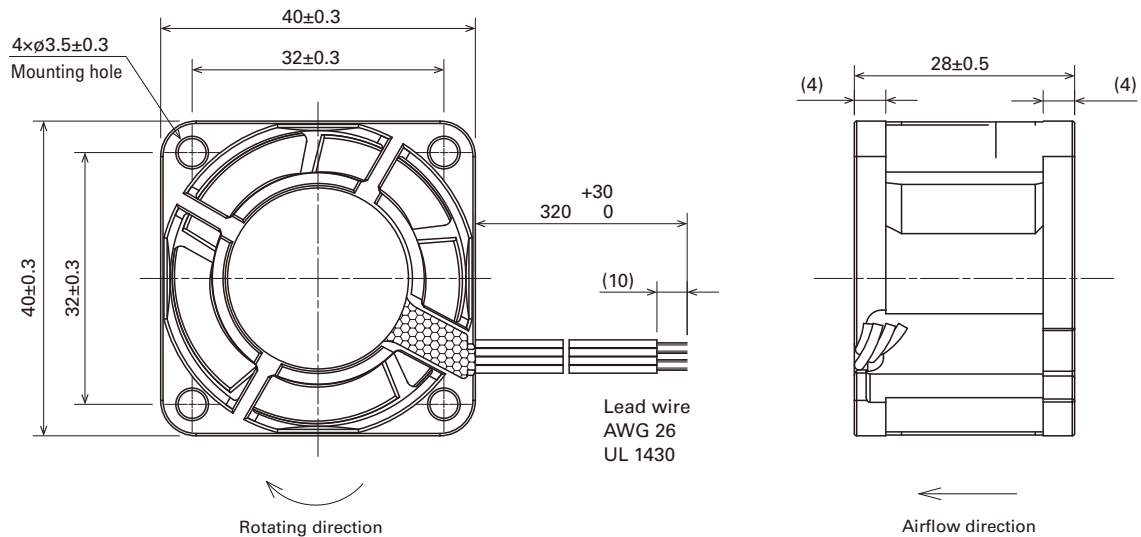
In case of steady running

(One revolution)

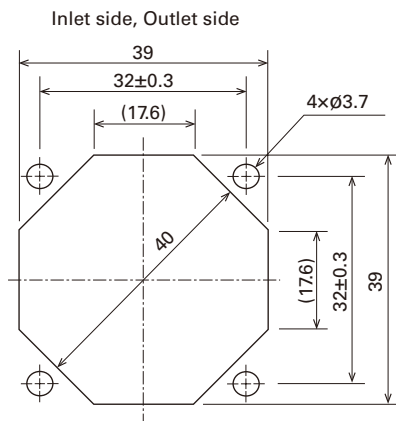


$T_{1 \text{ to } 4} \approx (1/4) T_0$
 $T_{1 \text{ to } 4} \approx (1/4) T_0 = 60/4N \text{ (s)}$
 $N = \text{Fan speed (min}^{-1}\text{)}$

Dimensions (unit: mm) (Ribbed frame with pulse sensor with PWM control function)



Reference Dimensions of Mounting Holes and Vent Opening (unit: mm)



Options

Finger guards

Model no.: 109-059, 109-059H

Notice

- Please read the "Safety Precautions" on our website before using the product.
- The products shown in this catalog are subject to Japanese Export Control Law. Diversion contrary to the law of exporting country is prohibited.
- For protecting fan bearings against electrolytic corrosion near strong electromagnetic noise sources, we provide effective countermeasures such as Electrolytic Corrosion Proof Fans and EMC guards. Contact us for details.

SANYO DENKI CO., LTD. 3-33-1 Minami-Otsuka, Toshima-ku, Tokyo 170-8451, Japan TEL: +81 3 5927 1020

<https://www.sanyodenki.com/>

The names of companies and/or their products specified in this document are the trade names, and/or trademarks and/or registered trademarks of such respective companies.

San Ace, SANUPS, and SANMOTION are trademarks of SANYO DENKI CO., LTD.

Specifications are subject to change without notice.

CATALOG No. C1136B003 '22.8



Sager Electronics is an authorized distributor of Sanyo Denki

Visit the Sanyo Denki supplier page on www.sager.com. For price and availability, contact your Sager sales representative or reach out to a customer service representative at customerservice@sager.com.